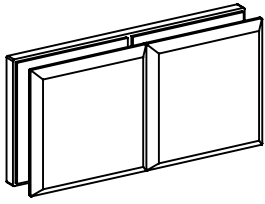
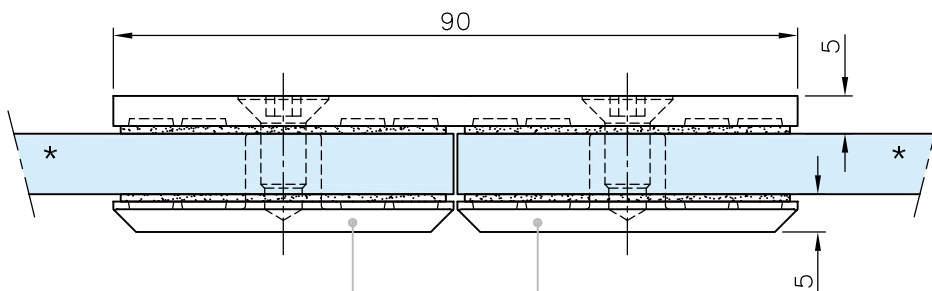
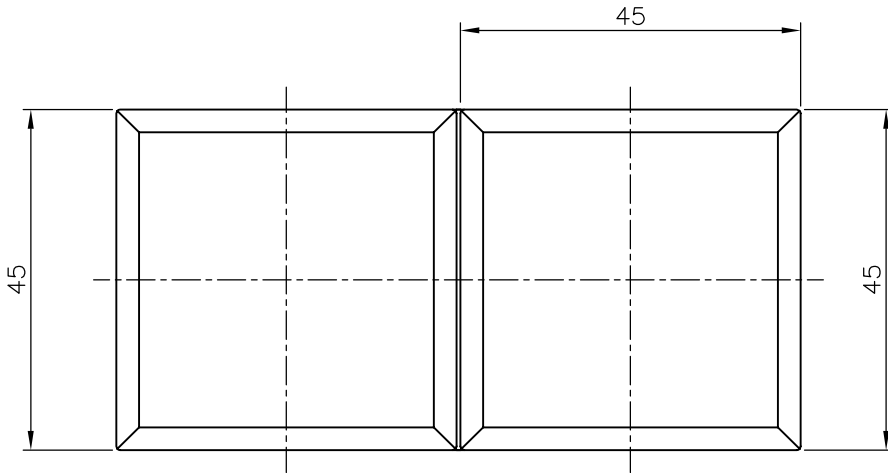


Partition wall system art. 40.4012.180...



304

Glass clamp 180° - glass/glass	Glasklemme 180° - Glas/Glas	Equerre à 180° - verre/verre	Glasklem 180° - glas/glas
stainless steel	V2A	inox	RVS
...10 polished ...12 satin	...10 poliert ...12 gebürstet	...10 poli ...12 brossé	...10 gepolijst ...12 geborsteld



* drawing shows 8mm glass without PVC seals

